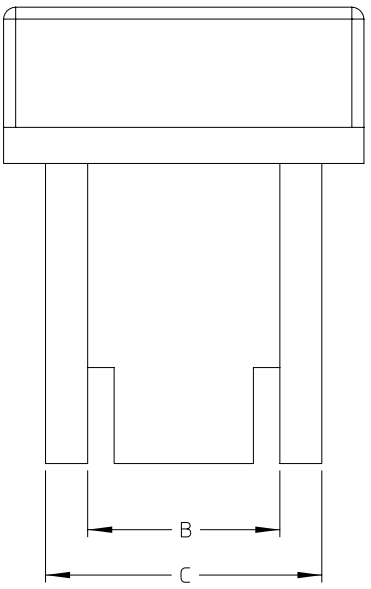
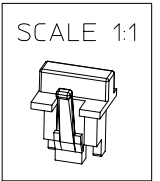
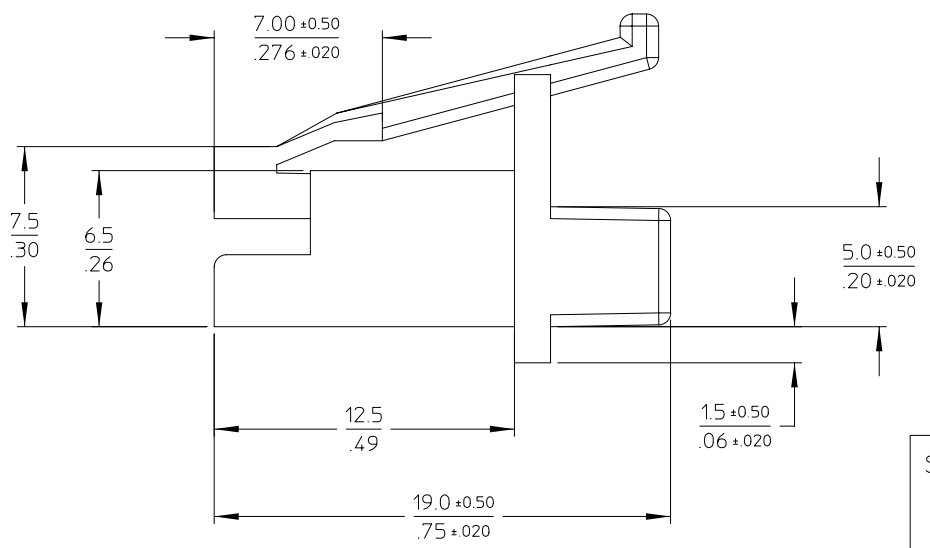
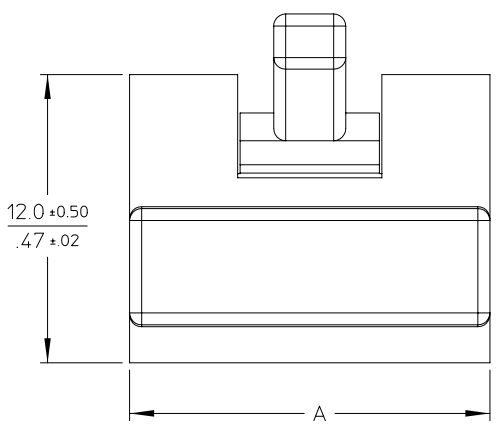


10 9 8 7 6 5 4 3 2 1

F  
E  
D  
C  
B  
A



NOTES:

- 1- MATERIAL: POLYCARBONATE MUST MEET UL 94 V1
- 2- COLOR: BLACK

CHART VERSION	MAT. NUMBER
8/8	85999-3255
6/6	85999-3256

DIM	VERSION	
	8/8	6/6
A	15.0±0.5 .59±.02	13.0±0.5 .51±.02
B	8.00 .315	6.00 .236
C	11.50 .453	9.60 .378

EC NO: M022002004788 DRWN: RKUBATIN 2002/04/09 CHKD: SFLIPON 2002/04/08 APPR: MHEIM 2002/04/08	QUALITY SYMBOLS	GENERAL TOLERANCES (UNLESS SPECIFIED)		SCALE 5:1	DESIGN UNITS METRIC	THIRD ANGLE PROJECTION	REVISE ON CAD ONLY	
	▽ = 0 ∠ = 0	mm	INCH	DIMENSION STYLE		TITLE		
		4 PLACES ± ---	± ---	MM/IN		BLIND PLUG 8/8, 6/6		
		3 PLACES ± ---	± .006	DRAWN BY	DATE	MOLEX INCORPORATED		
2 PLACES ± 0.15	± .01	JKEICHER	99/11/29					
1 PLACE ± 0.25	± ---	CHECKED BY	DATE	MATERIAL NO. DOCUMENT NO. SHEET NO.				
	ANGULAR ± .5 °	MFASOLD	99/11/29	FBORDRON	99/11/29	SEE CHART	SD-85999-056	1 OF 1
	DRAFT WHERE APPLICABLE MUST REMAIN WITHIN DIMENSIONS	THIS DRAWING CONTAINS INFORMATION THAT IS PROPRIETARY TO MOLEX INCORPORATED AND SHOULD NOT BE USED WITHOUT WRITTEN PERMISSION		A3				

9 8 7 6 5 4 3 2 1